



Ortego Technik GmbH



autoterm

AIR HEATER AUTOTERM

AUTOTERM Air 9D

Catalogue of parts and assemblies

Hersteller: **AUTOTERM LLC**
Paleju 72, Marupe, Lettland, LVA-2167

Garantieabteilung

warranty@autoterm.com

Technischer Support

service@autoterm.com

www.autoterm.com

Dein Ansprechpartner: **Ortego Technik GmbH**

Siemens-Halske-Ring 2, 03046 Cottbus

Vertrieb und Service:

+49 (0) 176 3769 87 87

+49 (0) 355 86 911 201

info@ortego-technik.de

www.ortego-technik.de | www.ortego.de

www.aqualang.de

This part-and-assembly catalogue is intended for companies and individuals involved in installing, repairing, and maintaining air heater Autoterm Air 9D.

This catalogue consists of two sections:

1. A schematic drawing of the **air heater** (figure 1) and a list of the air-heater's parts and assemblies (table 1)
2. A schematic drawing of the **heater** (figure 2) and a list of the heater's parts and assemblies (table 2)
3. A schematic drawing of the **heater assembly** (figure 3) and a list of the heater's parts and assemblies (table 3)

If a part or assembly fails during use, look up its designation in this catalogue to order a replacement from the manufacturer.

IMPORTANT **For ease of ordering, use the manufacturer's product numbers listed in the tables below**

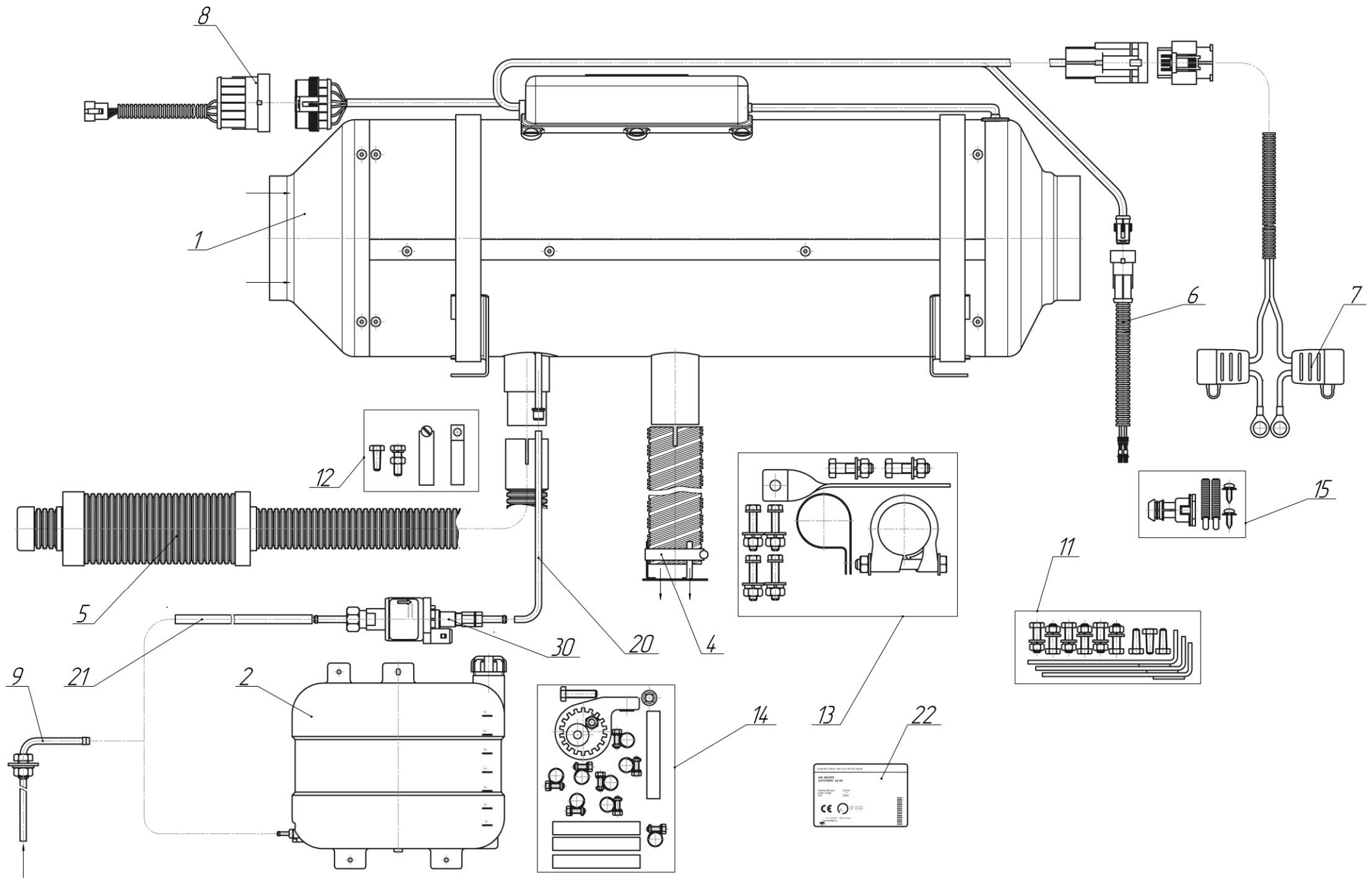
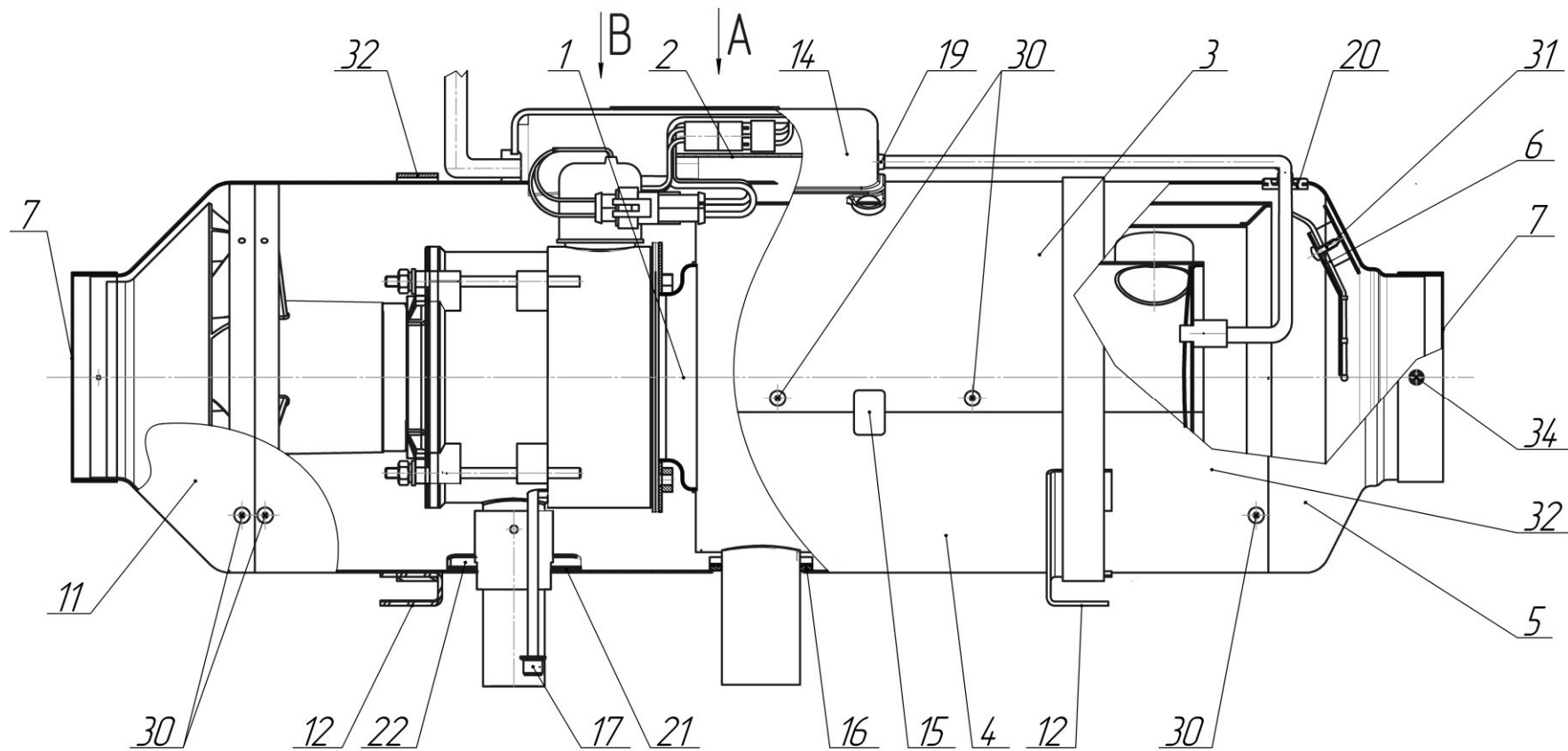


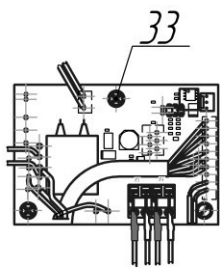
Figure 1- Schematic drawing of the air heater

Table 1

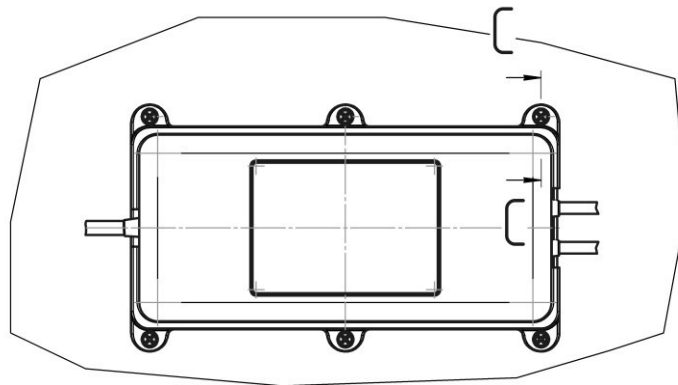
| No | Part/assembly description and designation | Notes | Air 9D (24V) assy 4790 | Air 9D assy 4795 |
|----|---|-----------------|------------------------|------------------|
| | Air heater number | | 1 | 2 |
| 1 | Heater | | | |
| | assy 4791 | 24V | 1 | |
| | assy 4796 | 12V | | 1 |
| 2 | Fuel tank | | | |
| | assy 291 or assy 4121 | БТ7-Ш or БТ7-Ш2 | 1 | 1 |
| 4 | Exhaust pipe | | | |
| | assy 411 | | 1 | 1 |
| 5 | Air intake with silencer | | | |
| | assy 4767 | | 1 | 1 |
| 6 | Fuel pump harness | | | |
| | assy 2061 | l=6.0m | 1 | 1 |
| 7 | Power supply harness | | | |
| | assy 1499 | l=6.5m | 1 | |
| | assy 2017 | l=5.0m | | 1 |
| 8 | Harness | | | |
| | assy 2067 | l=1.8m | 1 | 1 |
| 9 | Fuel intake | | | |
| | assy 807 | | 1 | 1 |
| 11 | Fuel tank БТ7 installation kit | | | |
| | assy 9020 | | 1 | 1 |
| 12 | Air intake mounting kit | | | |
| | assy 9021 | | 1 | 1 |
| 13 | Mounting kit of exhaust pipe and heating | | | |
| | assy 9047 | | 1 | 1 |
| 14 | Mounting kit of fuel system | | | |
| | assy 9049 | | 1 | 1 |
| 15 | Mounting kit for harnesses | | | |
| | assy 9050 | | 1 | 1 |
| 20 | Fuel supply line | | | |
| | det. 473 | | 1 | 1 |
| 21 | Fuel supply line | | | |
| | det.474 | | 1 | 1 |
| 22 | Duplicate of label | | | |
| | det.5354 | | 1 | |
| | det.5355 | | | 1 |
| 30 | Fuel pump | | | |
| | P0631 24V | Thomas Magnete | 1 | |
| | P0630 12V | Thomas Magnete | | 1 |



B (1:4) Without part pos.14



A (1:2)



C (5:1)

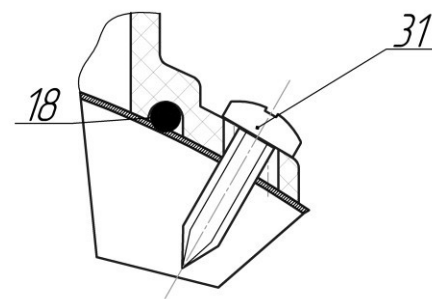


Figure 2- Schematic drawing of the heater

Table 2

| No | Part/assembly description and designation | Notes | assy 4791 | assy 4796 |
|----|--|-------|-----------|-----------|
| | Heater number | | 1 | 2 |
| 1 | Heater unit (include all parts from Table 3, marked with star *) | | | |
| | assy 3677 or assy 5315 | | 1 | |
| | assy 3912 or assy 5342 | | | 1 |
| 2 | Control unit | | | |
| | assy 3678 | 24V | 1 | |
| | assy 3913 | 12V | | 1 |
| 3 | Top enclosure | | | |
| | assy 3679 | | 1 | 1 |
| 4 | Bottom enclosure | | | |
| | assy 3681 | | 1 | 1 |
| 5 | Bell mouth | | | |
| | assy 3682 | | 1 | 1 |
| 6 | Outlet sensor | | | |
| | assy 3683 | | 1 | 1 |
| 7 | Grid | | | |
| | assy 3728 | | 2 | 2 |
| 11 | Intake bell mouth | | | |
| | det. 3828 | | 1 | 1 |
| 12 | Support | | | |
| | det.3829 | | 2 | 2 |
| 14 | Control unit cover | | | |
| | det.3831 | | 1 | 1 |
| 15 | Seal | | | |
| | det.892 | | 1 | 1 |
| 16 | Exhaust pipe gasket | | | |
| | det.1647 | | 2 | 2 |
| 17 | Cap | | | |
| | det.189 | | 1 | 1 |
| 18 | Control unit gasket | | | |
| | det.3832 | | 2 | 2 |
| 19 | Gasket | | | |
| | det.3833 | | 1 | 1 |
| 20 | Bell mouth gasket | | | |
| | det.3834 | | 1 | 1 |
| 21 | Air line support | | | |
| | det.3835 | | 1 | 1 |
| 22 | Air line gasket | | | |
| | det.3836 | | 1 | 1 |
| 30 | Screw M4x10 | | 28 | 28 |
| 31 | Screw 3,5x13 | | 2 | 2 |
| 32 | Clamp Norma SP 192-20mm or Clamp Mikalor super 188-200 | | 2 | 2 |
| 33 | Screw M3x8 DIN 7985 | | 3 | 3 |
| 34 | Screw 3x6 DIN 7516-A | | 6 | 6 |
| 35 | Washer 3 DIN 125 | | 3 | 3 |
| 36 | Lock washer 4 | | 6 | 6 |

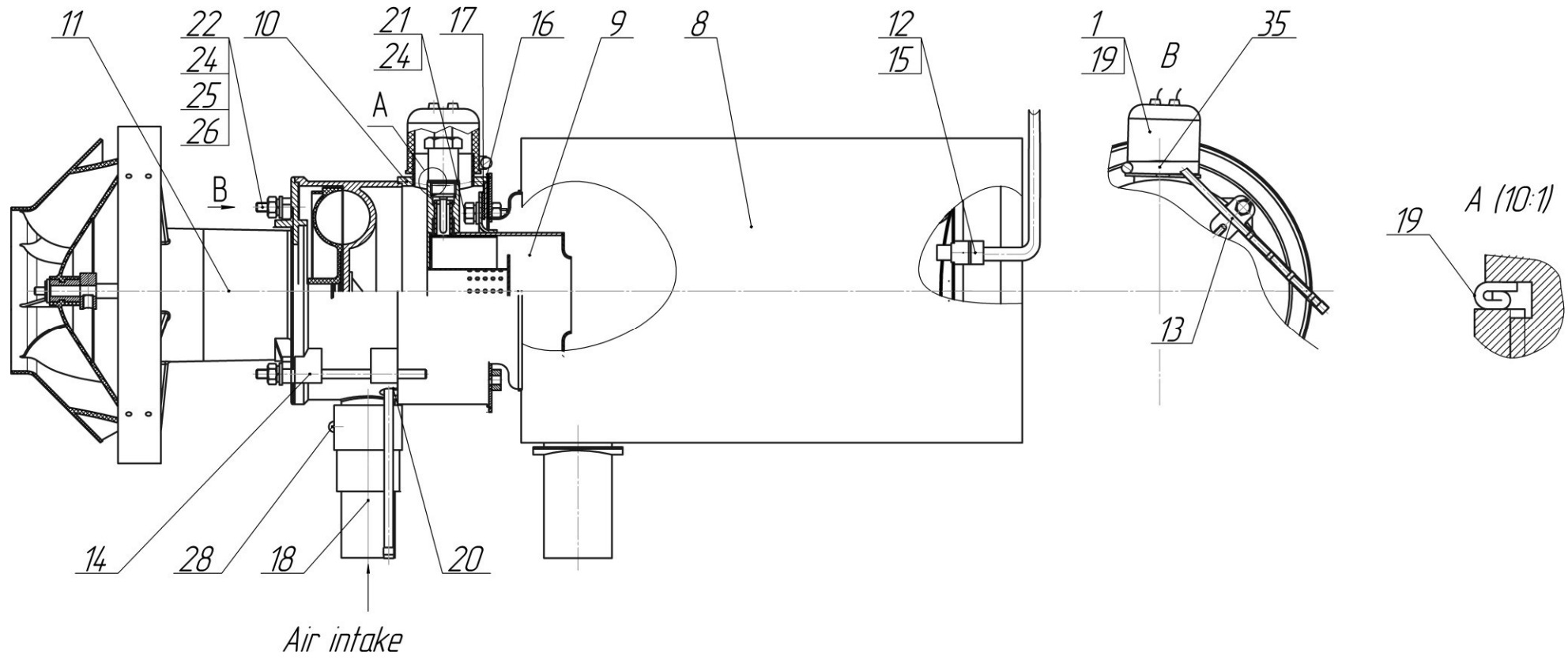


Figure 3- Heater unit structure

Table 3

| No | Part/assembly description and designation | Notes | assy 3677 | assy 3912 | assy 5315 | assy 5342 |
|----|---|-------|-----------|-----------|-----------|-----------|
| | Heating unit number | | 1 | 2 | 3 | 4 |
| 1 | *Glow plug | | | | | |
| | assy 3900 | | 1 | 1 | 1 | 1 |
| 8 | *Heat exchanger | | | | | |
| | assy 3684 | | 1 | 1 | | |
| | assy 5316 | | | | 1 | 1 |
| 9 | *Combustion chamber | | | | | |
| | assy 1606 | | 1 | 1 | 1 | 1 |
| 10 | *Adapter | | | | | |
| | assy 1607 | | 1 | 1 | | |
| | det. 5705 | | | | 1 | 1 |
| 11 | *Air pump | | | | | |
| | assy 3686 | 24V | 1 | | 1 | |
| | assy 3919 | 12V | | 1 | | 1 |
| 12 | *Flame detector | | | | | |
| | assy 3687 | | 1 | 1 | 1 | 1 |
| 13 | *Intake sensor | | | | | |
| | assy 3068 | | 1 | 1 | 1 | 1 |
| 14 | *Scroll housing | | | | | |
| | assy 442 | | 1 | 1 | 1 | 1 |
| 15 | *Sealing washer | | | | | |
| | det. 1105 | | 1 | 1 | 1 | 1 |
| 16 | *Gasket | | | | | |
| | det.1648 | | 1 | 1 | | |
| | det. 5704 | | | | 1 | 1 |
| 17 | *Combustion chamber gasket | | | | | |
| | det.1650 | | 1 | 1 | | |
| | det. 5703 | | | | 1 | 1 |
| 18 | *Air duct | | | | | |
| | det.3837 | | 1 | 1 | 1 | 1 |
| 19 | *Glow plug washer | | | | | |
| | det.198 | | 1 | 1 | 1 | 1 |
| 20 | *Sealing | | | | | |
| | det.77 | | 1 | 1 | 1 | 1 |
| 21 | *Screw M5x16 DIN 7500C | | 7 | 7 | 7 | 7 |
| 22 | Nut M5 | | 4 | 4 | 4 | 4 |
| 24 | *Washer 5 | | 11 | 11 | 11 | 11 |
| 25 | Screw M5x80 DIN 912 | | 4 | 4 | 4 | 4 |
| 26 | *Lock washer 5 | | 4 | 4 | 4 | 4 |
| 28 | Screw 3,9x13 DIN 7981 | | 1 | 1 | 1 | 1 |
| 35 | *Clamp Mikalor 32x50 | | 1 | 1 | 1 | 1 |