

EN



Ortego Technik GmbH



autoterm

Quick start guide

for AUTOTERM modem QSTART



Scan the QR code to download the Autoterm Control application.

Hersteller: **AUTOTERM LLC**
Paleju 72, Marupe, Lettland, LVA-2167
Garantieabteilung
warranty@autoterm.com
Technischer Support
service@autoterm.com
www.autoterm.com

Dein Ansprechpartner: **Ortego Technik GmbH**
Siemens-Halske-Ring 2, 03046 Cottbus
Vertrieb und Service:
+49 (0) 176 3769 87 87
+49 (0) 355 86 911 201
info@ortego-technik.de
www.ortego-technik.de | www.ortego.de
www.aqualang.de

1. Purpose

Modem QSTART is device with the ability to use Autoterm Control application on smartphone (available at Google Play and AppStore) to control any AUTOTERM air heater and liquid heaters (referred to for ease as “product” or “products” throughout).

The modem is used for manual and automatic control of the product and for sending data to a phone using SMS messages.

2. Specifications

| No. | Name | Characteristics |
|-----|--|---|
| 1 | Voltage (V): upper limit - lower limit - | 32 10 |
| 2 | Operating temperature range | from -40°C to +85°C |
| 3 | Dimensions (excluding antenna and cable) | (75 x 75 x 22) mm |
| 4 | Frequency: | GSM/GPRS/EDGE: 900/1800Mhz FDD-LTE (Cat.1): B1/B3/B7/B8/B5/B20/B28 |

3. Packing

- modem (1);
- modem connection harness (2);
- antenna (3);
- quick start guide.

4. Modem Description

Figure 1 shows an external view of the modem. The following are located on the modem:

- 6-pin cable connector (1);
- antenna connector (2);
- LED's (3).

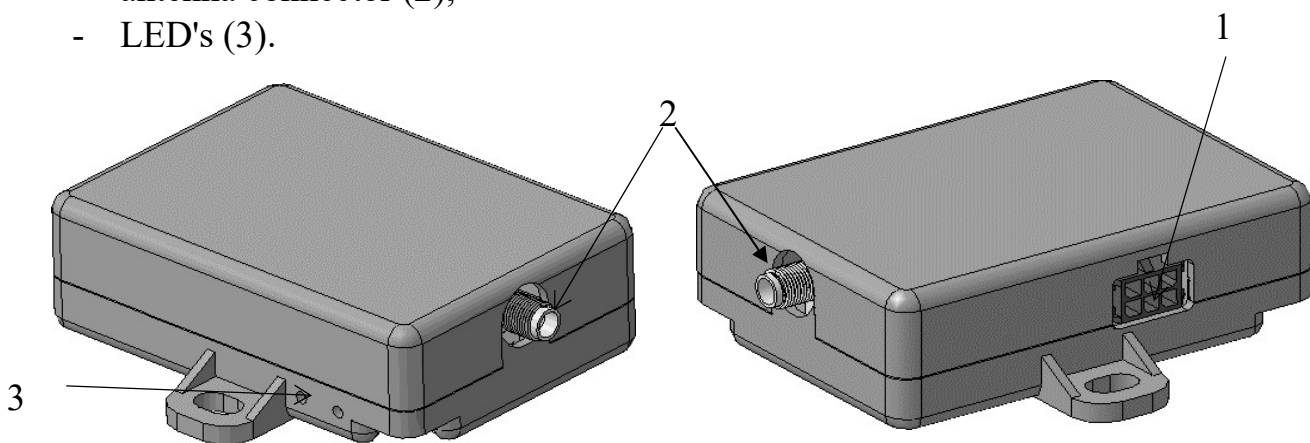


Fig.1. Modem

4.1. SIM Card Setup

First of all put new SIM card in phone, remove PIN code and delete all preset contacts from it.

Attention! SIM card has to be without voicemail. Ask your network provider to remove voicemail option from your SIM card.

To insert MICRO-SIM card unscrew two screws from bottom of modem and take off top casing of modem.

Insert the SIM card in the slot as shown in Fig.2. with contacts facing down, push carefully until a click. Then it is secured in its position.

To assemble modem back, do previous steps backward.

Figure 2 shows an internal view of the modem. The following are located on the modem:

- 6-pin cable connector (1);
- antenna connector (2);
- SIM card slot (3).

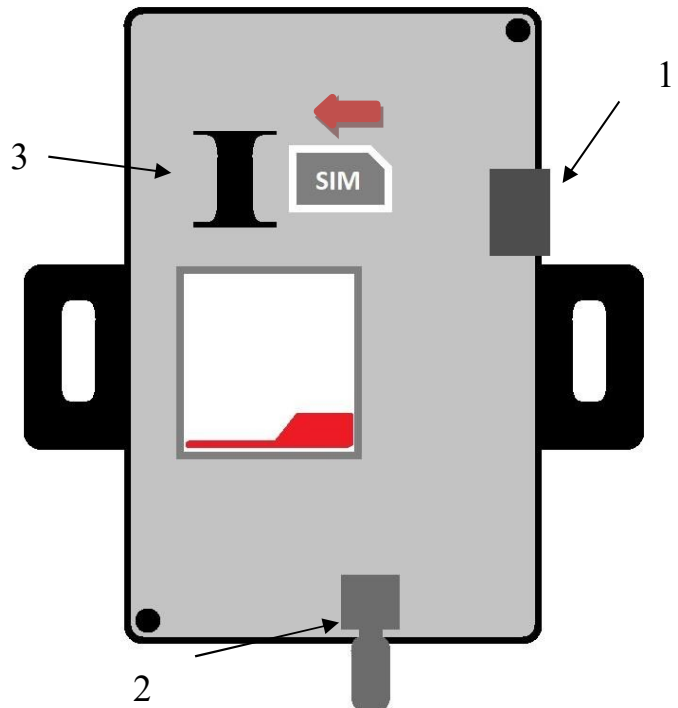


Fig. 2. To insert SIM card

4.2. Modem Connection

To set the modem up, connect the antenna, connect the harness to the modem and place the modem in a clean location. Mount the antenna in an unobstructed location (for example, on the windshield).

To connect the cable to the modem, push it in the connector until a click, so the cable connector is fixed in place.

To disconnect the cable, depress the connector latch.

To connect the modem to the product, disconnect the control panel from the product harness and connect the harness to the modem as shown in Fig.3.

After connecting the modem to the power harness (modem power supply), the LED closest to the antenna connector starts to glow. The second LED will start to blink (connection and data exchange). When second LED (green) start to blink slowly (once every 3 seconds) modem has established network connection.

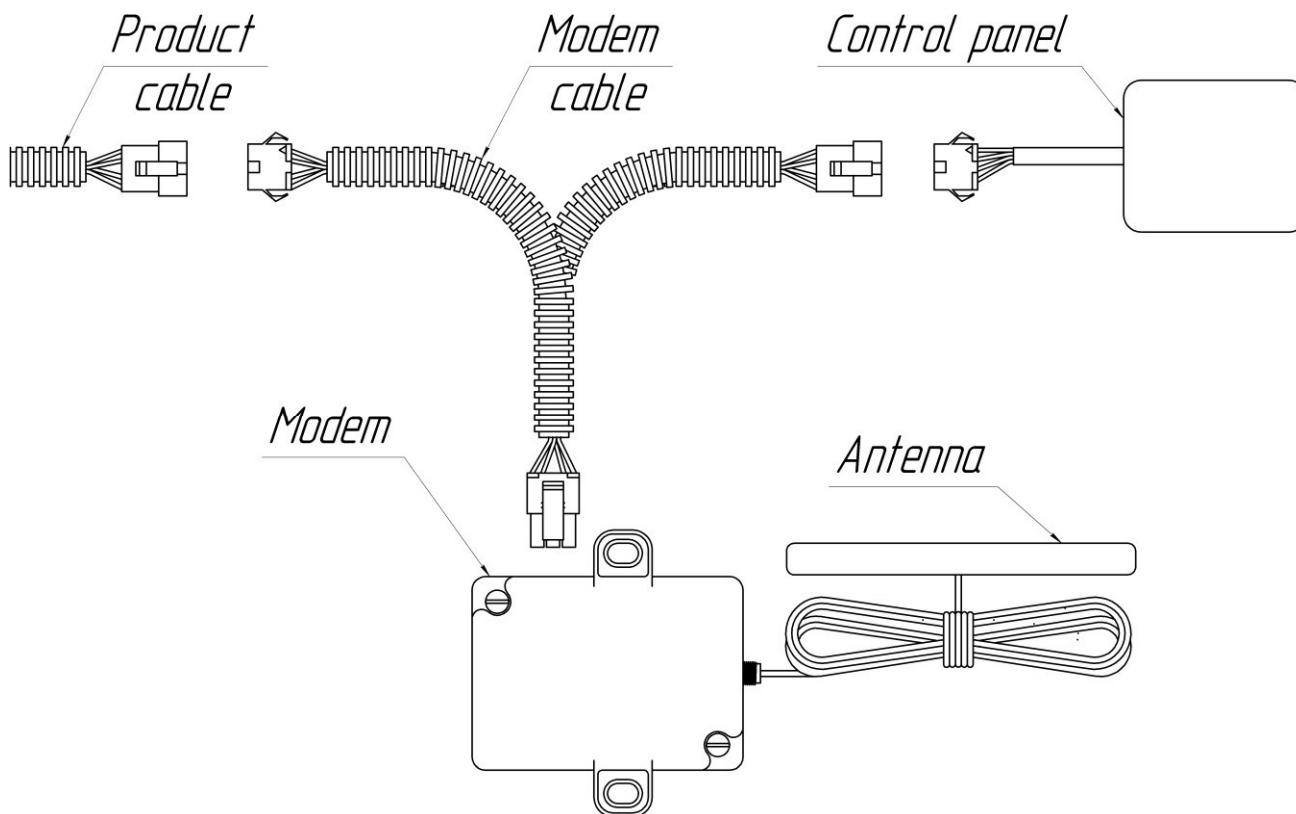


Fig. 3. Modem connection to AUTOTERM heaters

4.3. Preparation of SIM Card

To control the products by means of SMS-commands, phone numbers of SIM cards from which you plan to maintain control should be added to the contacts of the modem SIM card.

Insert the SIM card in the modem and turn on the power supply. When the connection is established (the LED indicating connection to the network is blinking slowly), you can add trusted numbers.

Attention! The first phone number to add is that of the Administrator. All further actions with trusted numbers are made only from this number.

Attention! Commands must be written in lowercase.

If you have problems setting up the modem, please contact our 24/7 technical support team via e-mail: service@autoterm.com

Example of working with trusted numbers using SMS-commands:

| Direction | SMS text | Description |
|----------------|--|-------------------------------------|
| To modem | admin+71234567891 | Adding administrator number |
| Modem response | Admin:+71234567891 | |
| To modem | add+71234567892 | Adding trusted number |
| Modem response | 1. +71234567891 2. +71234567892 | |
| To modem | add+71234567893 | Adding trusted number |
| Modem response | 1. +71234567891 2. +71234567892 3. +71234567893 | |
| To modem | list | Viewing the list of trusted numbers |
| Modem response | 1. +71234567891 2. +71234567892 3. +71234567893 4. +71234567894 | |
| To modem | del2 | Removing trusted number No. 2 |
| Modem response | 1. +71234567891 3. +71234567893 4. +71234567894 | |
| To modem | signal | Shows network strength and provider |
| Modem response | GSM signal: 3 Provider: Orange | Scale form 1-5. |

5. Controlling the Product.

Product can be controlled in three ways:

- 1) by means of a telephone call;
- 2) by means of a mobile application;
- 3) by means of SMS messages (dialed manually).

6. Controlling the Product by Means of a Telephone Call

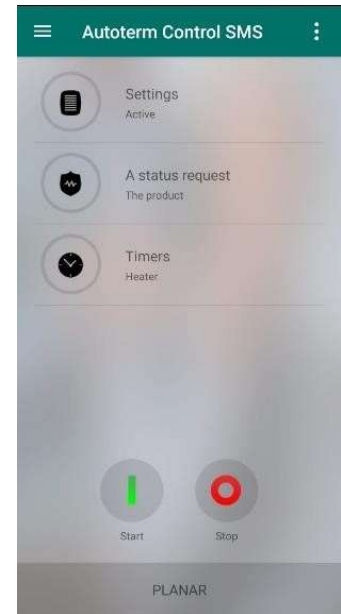
The product can be controlled only from a trusted phone number. When you call the modem number:

- If the product is stopped, the modem will respond with three beeps and will start the product.
- If the product is running, the modem will respond with two beeps and will stop the product.

7. Controlling the Product by Means of a Mobile Application

The product can be controlled by means of an application installed on a mobile phone with Android or iOS operating system. To do this, you need to download the app Autoterm Control SMS from Play Store or from AppStore and install it on your phone.

After installation, click the Autoterm Control SMS application to start it.



Autoterm Control settings:

- adding the product;
- ON/OFF SMS notifications;
- ON/OFF SMS malfunction notifications;
- confirm sending SMS;
- call notification²;
- language selection;
- about the product³.

Operation settings:

Air heaters:

- set operation time of the heater⁴;
- Limit time of work;
- Set work mode: Power, Temperature by 3 sensors;
- Power level or Temperature;
- Set Ventilation function ON/OFF;

Liquid heaters:

- set operation time of the heater⁴;
- ON/OFF cabin heater;
- set cabin heater ON temperature;
- ON/OFF pump start-up at engine start;
- set temperature of pre-heater transition to standby mode;
- ON/OFF product control from the alarm system remote;
- ON/OFF auxiliary heater mode.

Requesting the current status of the product.



Requesting the current status of the product.



Account balance request on the modem card number.



Product start-up (if SMS notification is enabled, an SMS-message is returned confirming the start-up of the product).



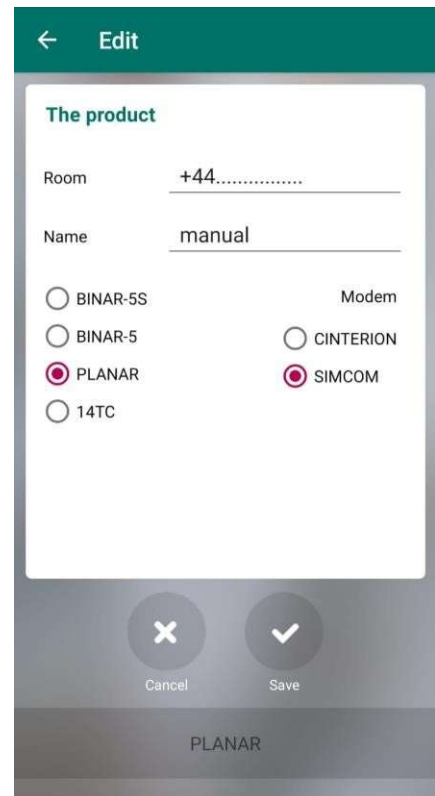
Product shutdown (if SMS notification is enabled, an SMS-message is returned confirming the shutdown of the product).

Enter the number in the following format:
(country code) (city/wireless carrier code) (phone number)

Example number: +71231234567

When adding a AIR heater and a FLOW 14D pre-heater, select SIMCOM in the Modem section.

When that is completed press “Save”



- 2 – When a voice call to the modem number is made, an SMS status notification is returned.
- 3 – Information on the serial number of the heater, the software version of the electronic unit and modem software version are returned.
- 4 – Operation time can be set even when the product is running.

8. Overall Testing of Modem after Installation

After the installation and connection of the modem to the product, the modem is tested in the following manner:

- Check that the red LED is lit (closest to the antenna connector);
- Request the status of the product.

If an SMS response is returned after the request, the modem is installed correctly.

If the LED is not lit, check the wires and connectors of the modem harness.

The second LED flashes - modem with a SIM card communicates with the operator.

9. Warranty

9.1 The warranty period is 24 months from the date of sale of the product, on condition that the user complies with handling, transportation and storage requirements and as provided by the operation manual.

9.2 In the absence of the stamp of the seller organization with the date of sale the warranty period is calculated from the date of manufacture of the modem.

9.3 When a fault occurs during the warranty period due to the fault of the manufacturer, the modem is replaced by the manufacturer.

9.4 The manufacturer shall not accept claims on incompleteness of delivery or mechanical damage after the sale of the product.

9.5 This warranty does not cover defects resulting from:

- Force majeure (lightning, fire, flood, flooding, harmful voltage fluctuations, accident);
- Non-compliance with the rules of installation, operation, storage and transportation set forth in the operating instructions;
- Use of modem for other purposes.

9.6 In case the operation manual for the modem is lost, the user is deprived of the right to warranty service.

